

ST 300D

Accessori Installazione

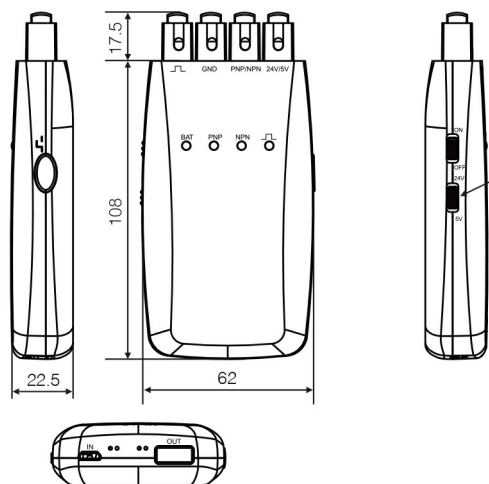


Micro Detectors

Italian Sensors Technology



Bilder rein Indikativ



Anwendung

| | |
|----------------------|---|
| Beschreibung | DC sensors tester. |
| Verwendbar mit | Accessories suitable for all types of photoelectric and proximity sensors |
| Sensorlogikerkennung | NPN / PNP (Automatic detect) |
| Funktionen | Short circuit protection Sleeping mode Positive pulse |

Elektrische Daten

| | |
|----------------------------|---|
| Ausgangsspannung | 4,8 ... 5,2 V (OUT + 5V) 19 ... 24,5V (OUT + 24V) 4,8 ... 5,2 (USB) |
| Ausgangsstrom für Sensoren | $\leq 200\text{mA}$ (@5V) $\leq 150\text{mA}$ (@24V) |
| Batteriekapazität | 2500 mAh |
| Autonomie | 10h (@24V, 15mA) |
| Ladezeit | $\leq 6\text{h}$ |
| Batterie | The product contains a non removable Li-ion battery. For the delivery of the product, follow the National and IATA regulations. |

Mechanische Daten

| | |
|--------------------|-----------------|
| Abmessungen | 124x22x23mm |
| Gewicht | 190g |
| Betriebstemperatur | -10°C ... +45°C |

M.D.Micro Detectors S.p.A.

Strada S.Caterina, 235

41122 Modena (MO)

Tel. 059 420411

Fax 059 253973

E-mail info@microdetectors.com

Druckdatum

08/10/2019 12:35:40