

SMT 3000HC TP18 J

Thru Beam

Standard, Photoelectric Sensors

Compatible Receivers:

SMR 3015 TP18 J, SMR 3115 TP18 J, SMR 3215 TP18 J, SMR 3315 TP18 J




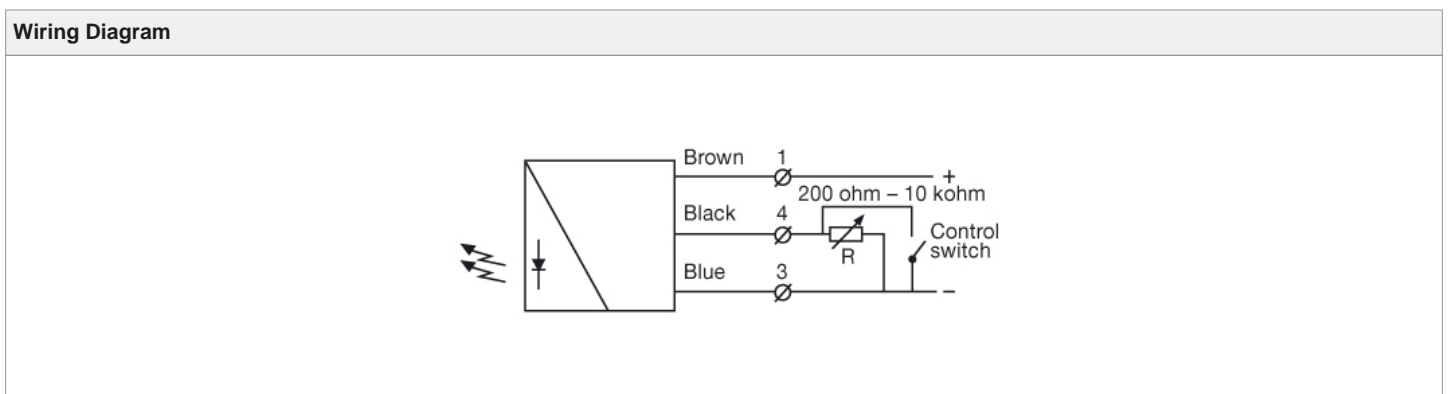
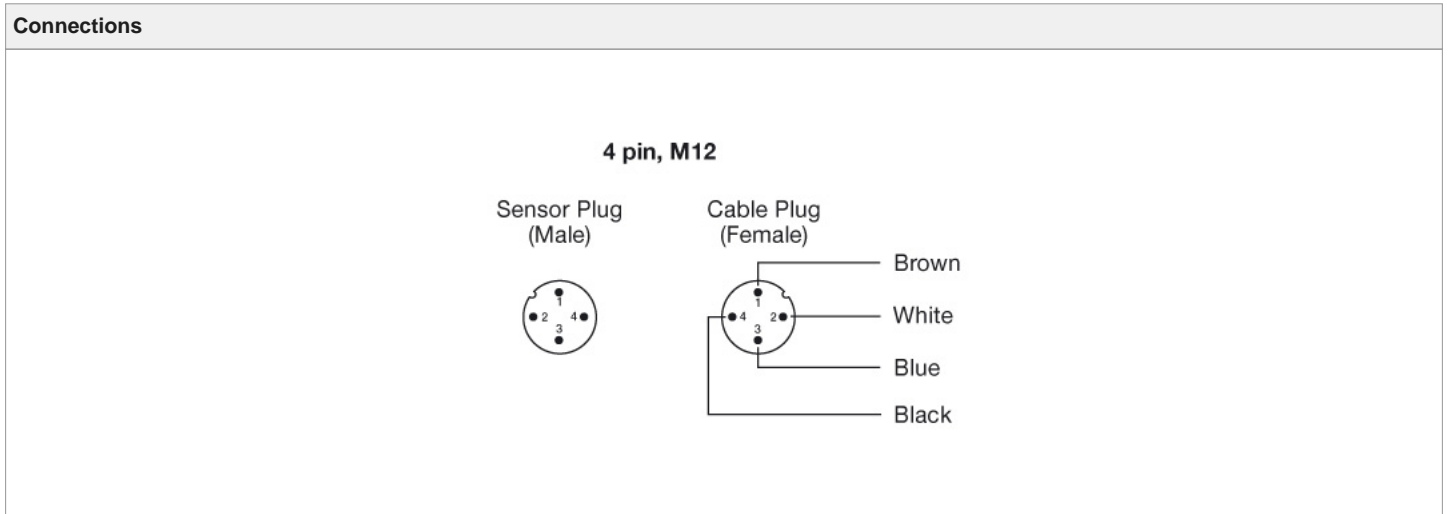
Product Data	
Function:	Transmitter
Supply Voltage:	10 - 30 V dc
Light Source:	Infrared (880 nm)
Housing Material:	Plastic
Housing:	M18 x 1
Control Feature:	Adjustable range and test input
Connection:	4 pin, M12 plug
Sensing Range:	15 m
Output:	-
Output Status:	-
Operation Mode:	Thru Beam

Technical Data	
Supply Voltage:	10 - 30 V dc
Voltage Ripple:	15 %
Reverse Polarity Protected:	Yes
Short Circuit Protected:	-
Current Consumption:	Max. 30 mA
Max. Output Load:	-
Max. Residual Voltage:	-
Max. Operation Frequency:	-
Power On Indicator:	Green LED
Output Indicator:	-
Hysteresis:	-
Light Source:	Infrared (880 nm)
Opening Angle:	-
Emission Angle:	+/- 12°
Cable:	-

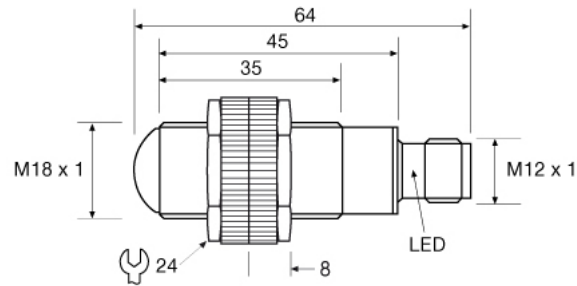
Response Time ton / toff:	-
Housing Material Sensor Housing:	Polycarbonate
Housing Material Lens Cover:	Polycarbonate
Cable Sleeve:	-
Test Input:	Yes
Control Input:	Adjustable range

Environmental Data	
Vibration:	10 - 55 Hz, 0,5 mm
Shock:	30 g
Operation Temperature:	-20 to +50 °C
Storage Temperature:	-40 to +80 °C
Sealing Class:	IP 67
Light Immunity 5°:	-

Approvals


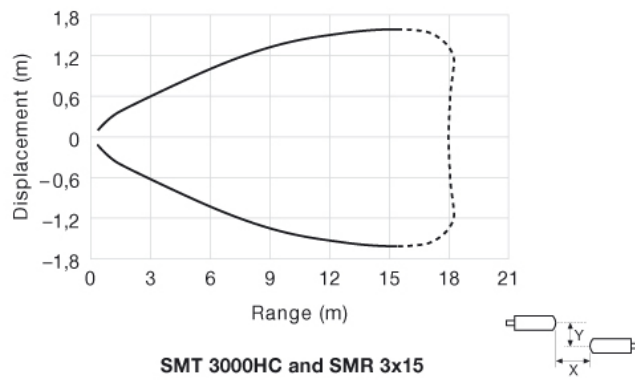


Dimensions



Sensing Characteristics

Parallel Displacement



Angular Displacement

