

F 18-2

Sensoren
Sensors
Capteurs



068-14432 25.10.2016-02
www.sensopart.com

TECHNISCHE DATEN | TECHNICAL DATA | DONNÉES TECHNIQUES

			¹⁾	¹⁾
FT 18-2 (red light)	R-PS-xx RM-PS-xx RW-PS-xx RWM-PS-xx	R-NS-xx RM-NS-xx RW-PS-xx RWM-PS-xx	400 mm 400 mm 320 mm 320 mm	11 g / 55 g 23 g / 63 g 13 g / 57 g 25 g / 65 g
FT 18-2 (infrared)	ID-PS-xx IDM-PS-xx	ID-NS-xx IDM-NS-xx	800 mm 800 mm	23 g / 63 g 23 g / 63 g
FR 18-2 (infrared)	I-PS-xx ^{A)} IW-PS-xx ^{A)}	I-NS-xx ^{A)} IW-NS-xx ^{A)}	3.6 m 2.5 m	11 g / 55 g 13 g / 57 g
FR 18-2 (red-polarized)	RM-PS-xx ^{A)} RWM-PS-xx ^{A)}	RM-NS-xx ^{A)} RWM-NS-xx ^{A)}	3.0 m 2.4 m	34 g / 74 g 36 g / 76 g
FSE 18-2 (infrared)	IM-PS-xx ^{A)}	-IM-NS-xx ^{A)}	10 m	46 g / 130 g
Switching output Q	PNP	NPN		
Used light	LED (red light or infrared), see table above			
Operating voltage +U _B ²⁾	10 ... 30V DC			
No-load supply current I ₀	max. ≤ 30 mA			
Output current I _Q	max. ≤ 100 mA			
Response time / Switching frequency FT 18-2 / FR 18-2	Less than 1.0 ms (ON+OFF) / 1000 Hz			
Response time / Switching frequency FSE 18-2	Less than 2.5 ms (ON+OFF) / 400 Hz			
Circuit protection	1. Output over current protection 2. Reverse - polarity protected 3. Interference suppression			
Operation mode (IN) ³⁾	-U _B = N.O. / +U _B = N.C. selectable by control cable (white)			
Indicator	Yellow LED on, when light is received Green LED power on			
Ambient temperature	Operating temperature: -25 ... +55° C			
Protection standard	IP 67			
Extraneous light immunity	Lamplight: 3000 Lux; Sunlight: 10000 Lux max.			
Housing material (plastic)	Housing and nut: ABS resin, grey; Lens: PMMA			
Housing material (metal)	Housing and nut: Brass nickelized; Lens: PMMA			
Adjustable sensitivity ³⁾	By potentiometer			
Electrical connection	M 12x1 or cable 2 m length; Material PVC (see table below)			
Cable	2 m, PVC, grey			

¹⁾ Scanning distance/Scanning range / Weight (plug/cable)

^{A)} Ⓜ Reference reflector M51, included in delivery

²⁾ Max. residual ripple 10%, within U_B, approx. 50Hz/100Hz

³⁾ Only for adjustable type

⁴⁾ -U_B: Beam OFF

Ⓧ SICHERHEITSHINWEISE

Vor Inbetriebnahme die Bedienungsanleitung lesen.
Anschluss, Montage, Einstellung und Inbetriebnahme nur durch Fachpersonal.
Kein Sicherheitsbauteil gemäß EU-Maschinenrichtlinie (nicht zum Schutz von Personen geeignet).
Einsatz nicht im Aussenbereich.

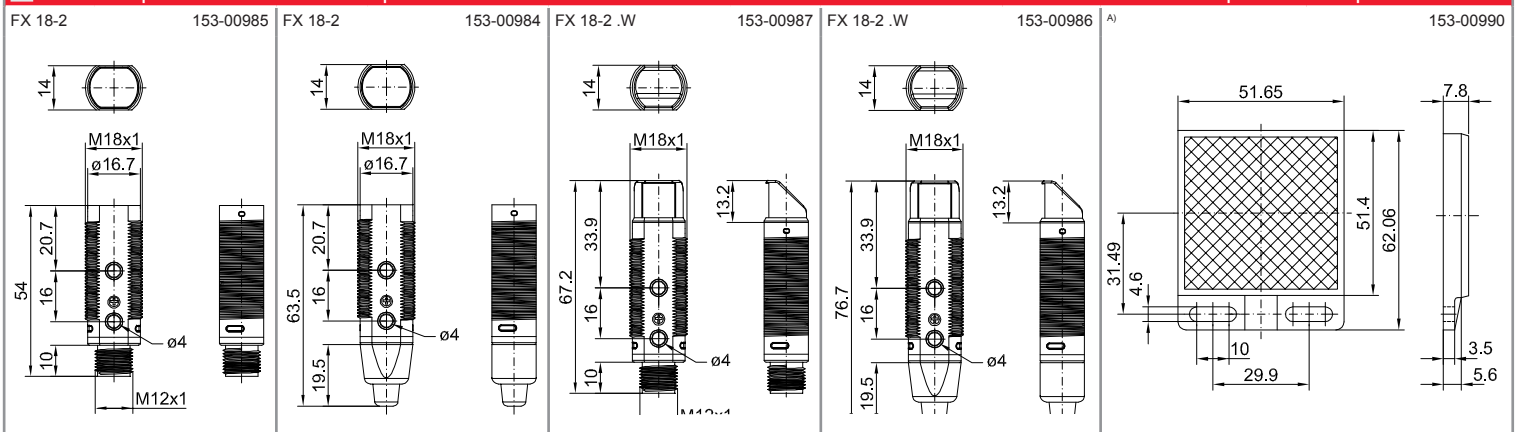
Ⓧ SAFETY INSTRUCTIONS

Read operating instructions before start-up.
Connection, assembly, setting and start-up only by trained personnel.
No safety component according to EU machinery directives (not suited for the protection of personnel).
Not for outdoor use.

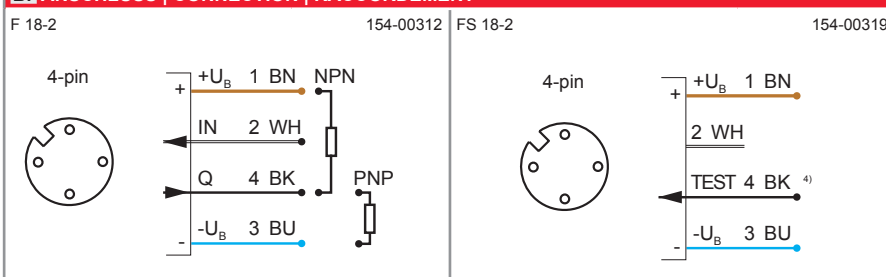
Ⓧ INSTRUCTIONS DE SÉCURITÉ

Lire les instructions de service avant mise en service.
Raccordement, assemblage, réglage et mise en service ne doivent être effectués que par du personnel qualifié.
Il ne s'agit pas de pièces de sécurité selon les directives européennes en vigueur concernant les machines (inappropriées à la protection de personnes).
Nepas utiliser à l'extérieur.

A. MASSBILD | DIMENSIONAL DRAWING | PLAN COTES



B. ANSCHLUSS | CONNECTION | RACCORDEMENT



FT18-2	RM	-	PS	-	L4	Example
FT 18-2	xx	-	xx	-	L4	L4: M12x1, 4-pin
FT 18-2	xx	-	xx	-	K4	K4: 2 m cable, 4-wire
FR 18-2	xx	-	xx	-	L4	
FR 18-2	xx	-	xx	-	K4	
FSE 18-2	xx	-	xx	-	L4	
FSE 18-2	xx	-	xx	-	K4	