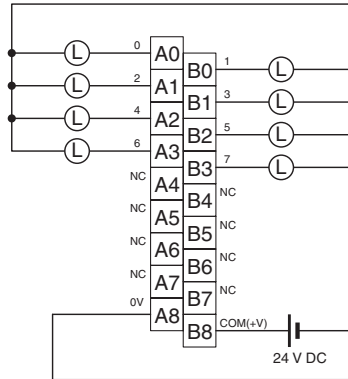


When overcurrent is detected, the ERR indicator will light, and the corresponding flag in the Basic I/O Unit Information Area (A050 to A069) will turn ON.

**Terminal Connections**



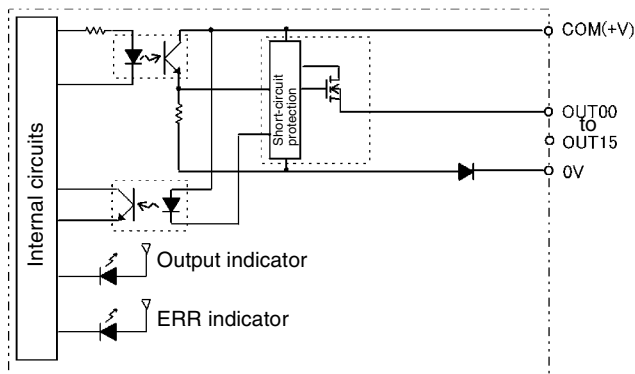
When wiring, pay careful attention to the polarity of the external power supply. The load may operate if the polarity is reversed.

**Note** Terminal numbers A0 to A9 and B0 to B9 are used in this manual, but they are not printed on the Unit.

**CJ1W-OD212 Transistor Output Unit (Terminal Block, 16 Points, Sourcing)**

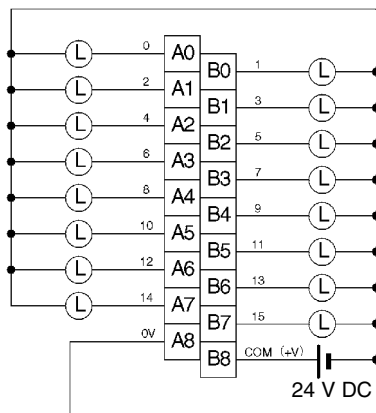
Rated Voltage	24 V DC
Operating Load Voltage Range	20.4 to 26.4 V DC
Maximum Load Current	0.5 A/point, 5.0 A/Unit
Maximum Inrush Current	0.1 mA max.
Leakage Current	1.5 V max.
ON Response Time	0.5 ms max.
OFF Response Time	1.0 ms max.
Load Short-circuit Prevention	Detection current: 0.7 to 2.5 A Automatic restart after error clearance. (Refer to page 590.)
Insulation Resistance	20 MΩ between the external terminals and the GR terminal (100 V DC)
Dielectric Strength	1,000 V AC between the external terminals and the GR terminal for 1 minute at a leakage current of 10 mA max.
Number of Circuits	16 (16 points/common, 1 circuits)
Internal Current Consumption	5 V DC, 100 mA max.
External Power Supply	20.4 to 26.4 V DC, 40 mA min.
Weight	120 g max.

Circuit Configuration



When overcurrent is detected, the ERR indicator will light, and the corresponding flag in the Basic I/O Unit Information Area (A050 to A069) will turn ON.

Terminal Connections



When wiring, pay careful attention to the polarity of the external power supply. The load may operate if the polarity is reversed.

**Note** Terminal numbers A0 to A9 and B0 to B9 are used in this manual, but they are not printed on the Unit.

**CJ1W-OD232 Transistor Output Unit (MIL Connector, 32 Points, Sourcing)**

Rated Voltage	24 V DC
Operating Load Voltage Range	20.4 to 26.4 V DC
Maximum Load Current	0.5 A/point, 2.0 A/common, 4.0 A/Unit
Leakage Current	0.1 mA max.
Residual Voltage	1.5 V max.