

Solid State Relays SOLITRON MINI - With Integrated Heatsink Types RJ1A, RJ1B

CARLO GAVAZZI



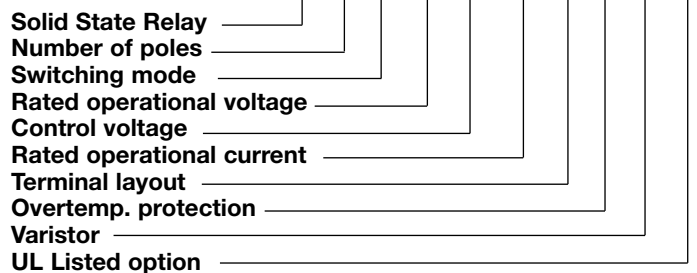
- AC semiconductor contactor
- Zero switching (RJ1A) or instant-on switching (RJ1B)¹
- Direct copper bonding (DCB) technology
- LED-indication
- Self-lifting terminals
- 2 input ranges: 4-32 VDC and 24-275 VAC/24-48VDC
- Operational ratings up to 30 AACrms and 600 VAC
- Blocking voltage: Up to 1200 V_p
- Opto-isolation: 4000 VACrms
- Over-temperature safety option²
- Option for UL508 listing³
- Germanischer Lloyd approval⁴

Product Description

The SOLITRON Mini is a single-phase Solid State Contactor designed to replace electro-mechanical contactors in industrial heating and motor applications, especially when switching is frequent. The product is ready to mount on DIN-rail or chassis and comes with integral heatsink. The standard housing dimensions enable installation in limited space and the terminal layout allows both contactor (E) and SSR (U) type connection. Two

2.5mm² cables can be connected in each screw terminal to allow looping. A removable IP20 cover allows connection of a 4mm² cable with crimped terminal. An LED indicates the status of the control input. The superior heat-transfer efficiency combined with a robust power management system make this a high reliability product that can meet the most stringent functional requirements.

Ordering Key RJ 1 A 60 D 30 E P V M



Type Selection

Switching mode	Rated operational voltage	Control voltage	Rated operational current	Terminal layout	Options
A: Zero switching	23: 230 VACrms	D: 4-32 VDC ⁵	20: 20 AACrms	U: SSR	P: Over-temp. protection ²
B: Instant-on switching ¹	60: 600 VACrms	A: 24-275 VAC ⁶ 24-48 VDC	30: 30 AACrms	E: Contactor	V: Integrated varistor M: UL Listed

Selection Guide

Rated operational voltage	Blocking voltage	Control voltage	Rated operational current		
			20 A	30 A	30A+OTP ²
230 VACrms	650 V _p	4 - 32 VDC ⁵	RJ1A23D20E RJ1A23D20U	RJ1A23D30E RJ1A23D30U	RJ1A23D30EP
		24 - 275 VAC / 24 - 48VDC ⁵	RJ1A23A20E RJ1A23A20U	RJ1A23A30E RJ1A23A30U	RJ1A23A30EP
600 VACrms	1200 V _p	4 - 32 VDC ⁵	RJ1A60D20E RJ1A60D20U	RJ1A60D30E RJ1A60D30U	RJ1A60D30EP
		24 - 275 VAC / 24 - 48VDC ⁵	RJ1A60A20E RJ1A60A20U	RJ1A60A30E RJ1A60A30U	RJ1A60A30EP

Notes

- 1 RJ1B.: For instant-on version replace RJ1A with RJ1B. Example: RJ1B23D30E. Not available with OTP and not available with AC control voltage
- 2 "P" suffix: Over-temperature protection (OTP), available on 30A rated devices with type "E" terminals only
- 3 "M" suffix: Available only on request. Product ending with "M" is UL listed with NMFT, NMFT7 requirements for motor loads
- 4 GL approval applies to RJ1A (Zero Switching) versions only.
- 5 For Germanischer Lloyd approval D: 5 - 32 VDC
- 6 For Germanischer Lloyd approval A: 24 - 275 VAC/ 26 - 48 VDC

Motor ratings (UL508)

Part number	110-120VAC		220-240VAC		440-480VAC		550-660VAC	
	HP	FLA	HP	FLA	HP	FLA	HP	FLA
RJ1.23..20..M	1/6	4.4A	1/2	4.9A	-	-	-	-
RJ1.60..20..M	1/6	4.4A	1/2	4.9A	1	4A	2	4.8A
RJ1.23..30..M	1/2	9.8A	1 1/2	10A	-	-	-	-
RJ1.60..30..M	1/2	9.8A	1 1/2	10A	3	8.5A	5	11.2A

Note: Surrounding ambient temperature is 40°C for motor rating applications.

General Specifications

	RJ1.23..	RJ1.60..
Operational voltage range	24 to 265 VAC	42 to 660 VAC
Blocking voltage	650 V _p	1200 V _p
Operational frequency range	45 to 69 Hz	45 to 69 Hz
Power factor	≥ 0.5 @ 230 VACrms	≥ 0.5 @ 600 VACrms
Integrated Varistor (RJ1.....V..)	275V	680V
Vibration	6g (According to EN50155)	6g (According to EN50155)
CE-marking		Yes
Pollution degree		2
RoHS compliance		Yes

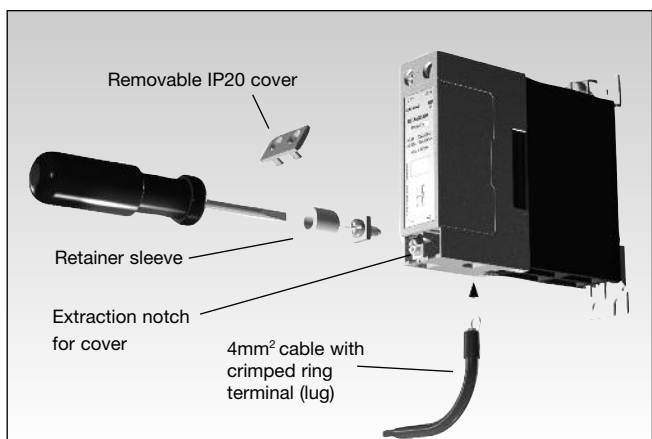
Input Specifications

	RJ1A..D	RJ1B.D	RJ..A
Control voltage range	4 to 32 VDC ⁵	4.5 to 32 VDC	24-275VAC/ 24-48 VDC ⁶
Pick-up voltage	3.8 VDC	4.25 VDC	22 VAC/DC
Reverse voltage	32 VDC	32 VDC	n/a
Drop-out voltage	1.2 VDC	1.0 VDC	6 VAC/DC
Max input current	12 mA	15 mA	17 mA
Response time pick-up	1/2 cycle	1 ms	1 cycle
Response time drop-out	1/2 cycle	1 cycle	1 cycle

Isolation

Rated isolation voltage	
Input to output	4000 VACrms
Output to case	4000 VACrms

Installation



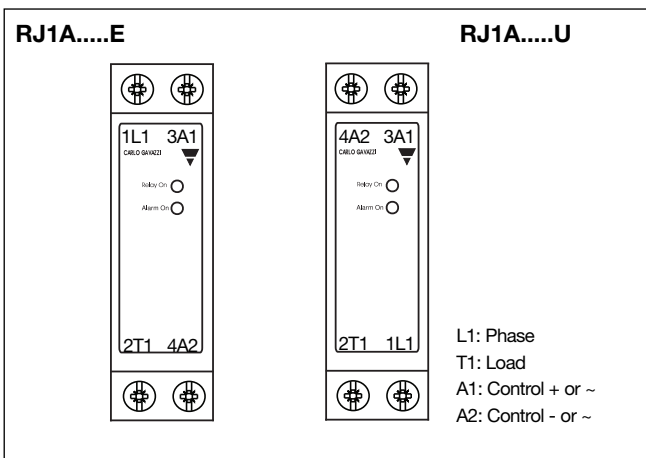
Output Specifications

	RJ..20	RJ..30
Rated operational current AC51 @TA=25°C AC53a @Ta=25°C	20 AACrms 5 AACrms	30 AACrms 15 AACrms
Min. operational current	350 mAACrms	250mAACrms
Rep. overload current t = 1s	< 35 AACrms	<125 AACrms
Non rep. surge current Tj(init.) = 25°C and t = 10 ms	300 A _p	600 A _p
Off-state leakage current @ rated voltage and frequency	< 3 mArms	< 3 mArms
I ² t for fusing t = 10 ms	450 A ² s	1800 A ² s
On-state voltage drop @ rated current	1.6 Vrms	1.6 Vrms
Critical dV/dt off-state	500 V/μs	500 V/μs

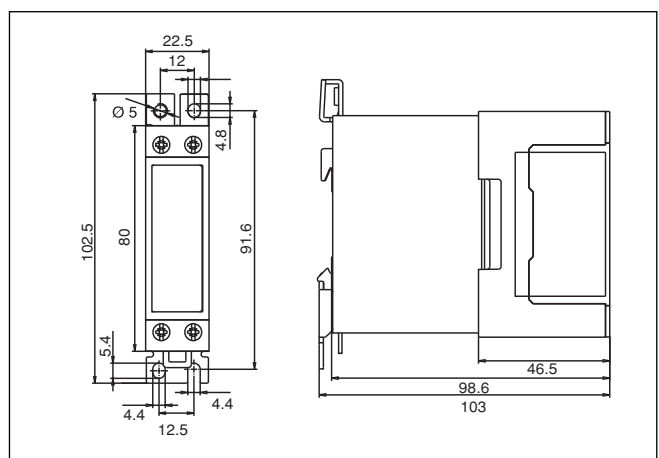
Thermal Specifications

	RJ...D	RJ...A
Operating temperature for general use unless otherwise stated	-30 to +70°C (-22 to +158°F)	-30 to +70°C (-22 to +158°F)
Storage temperature	-40 to +100°C (-40 to +176°F)	-40 to +100°C (-40 to +176°F)

Terminal Layout



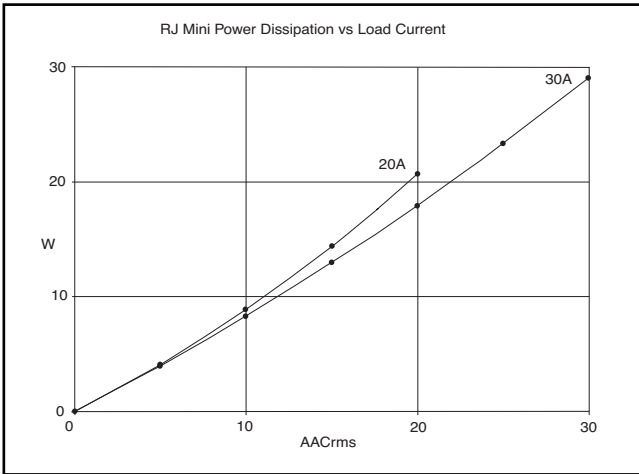
Dimensions



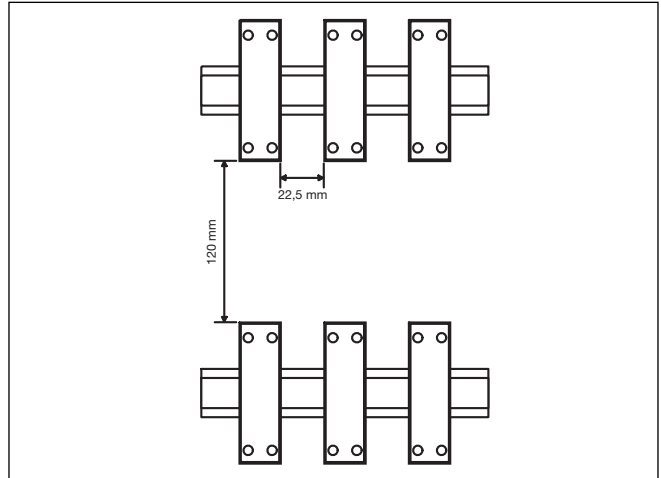
Housing Specifications

Weight	Approx. 225 g
Housing material	PBT Flame retardant
Power and control terminals L1, T1, A1, A2	
IEC data	min. 1 x 0.5 mm ² max. 2 x 2.5 mm ²
UL data	min. 1 x 18AWG (Stranded and Solid) max. 1 x 14AWG (Stranded and Solid) 2 x 14AWG (Stranded and Solid)
Mounting torque max.	2 Nm
Screw size	M4

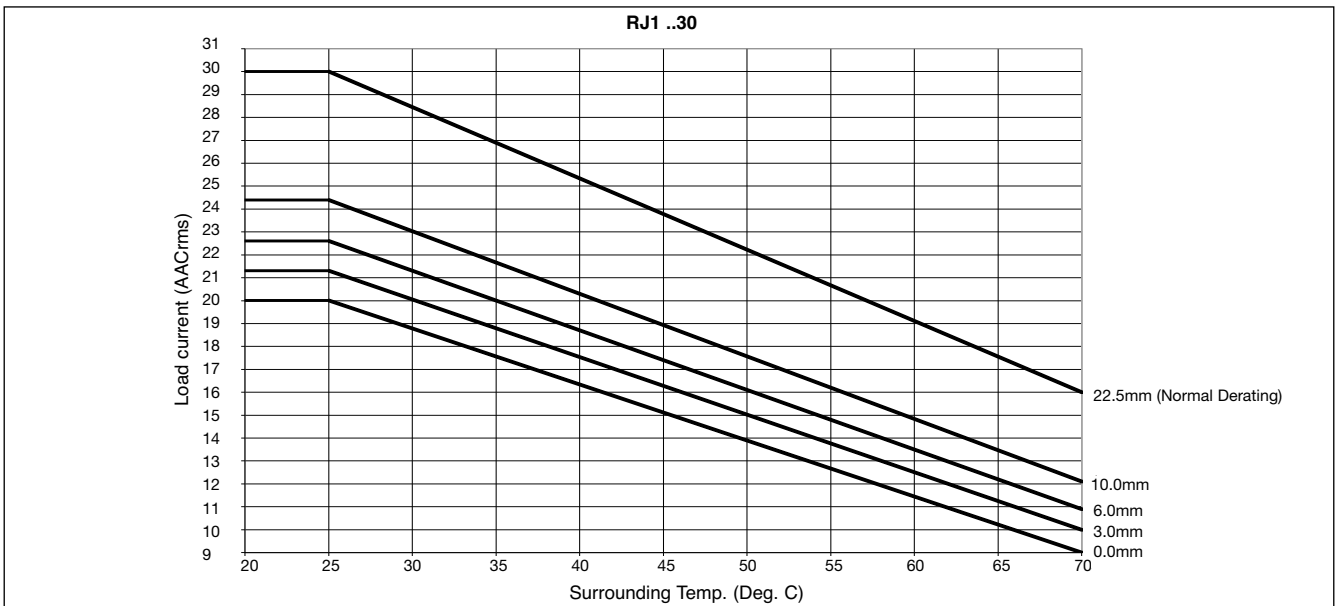
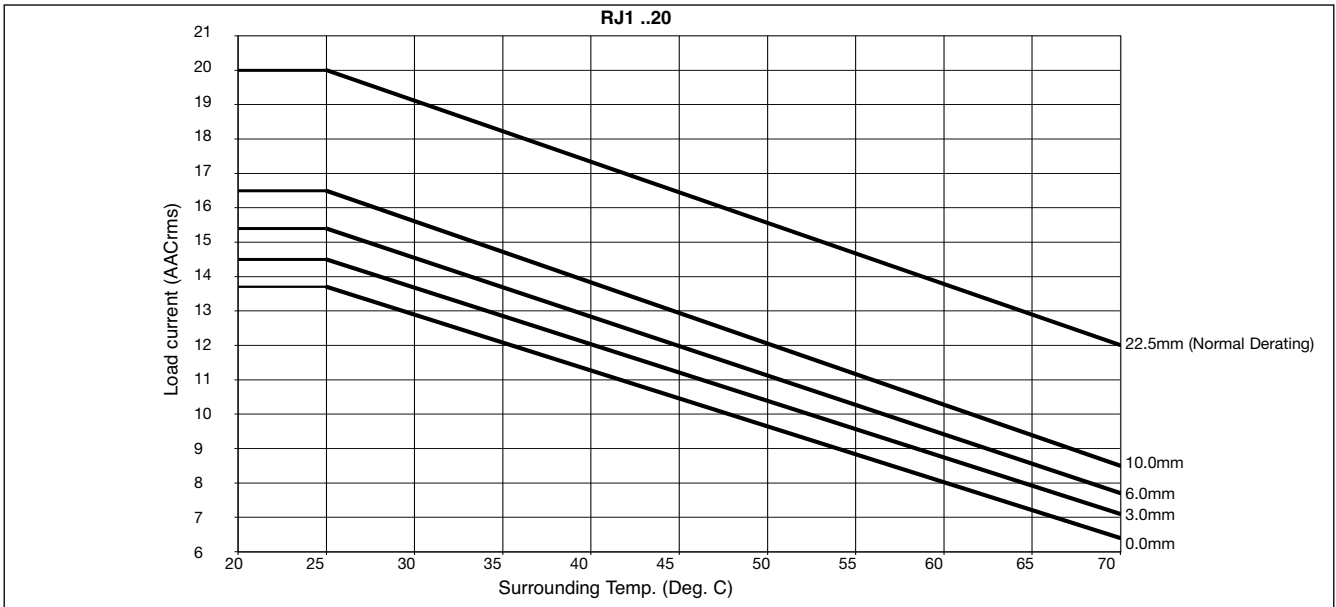
Dissipation Curve



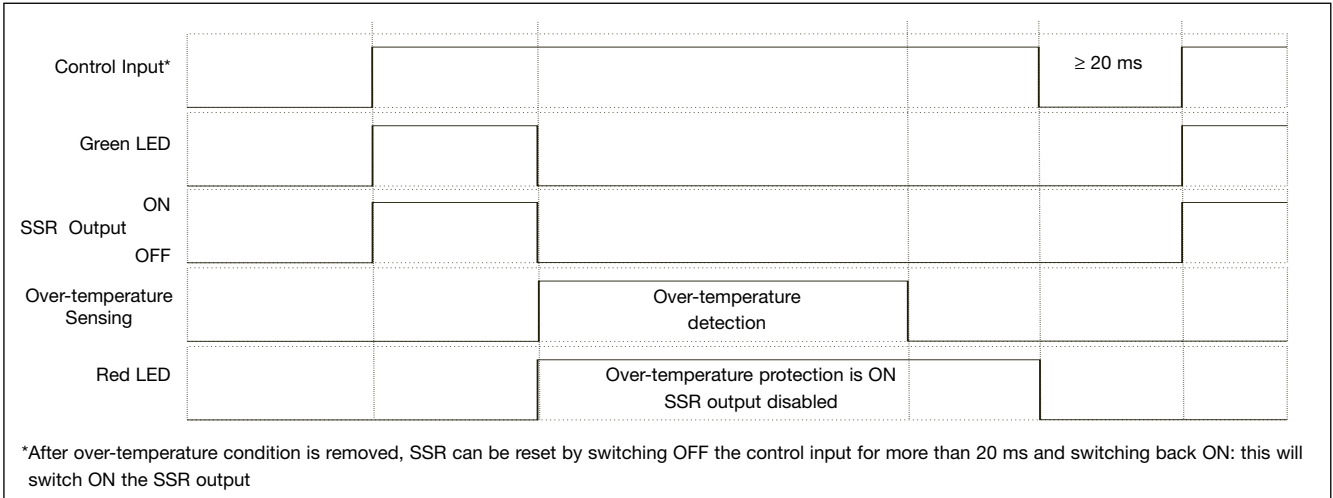
Panel Mounting



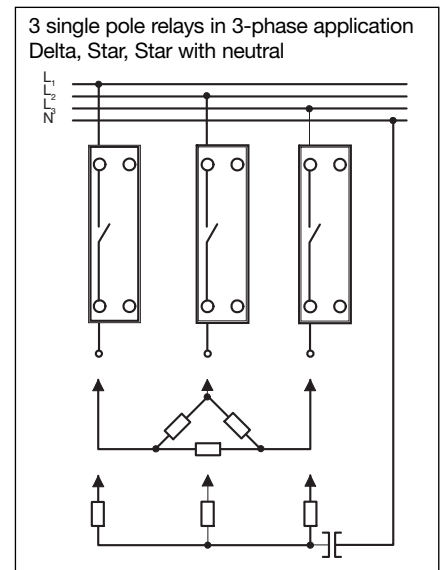
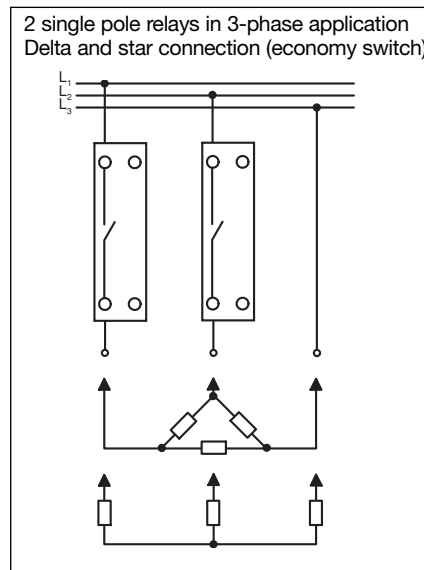
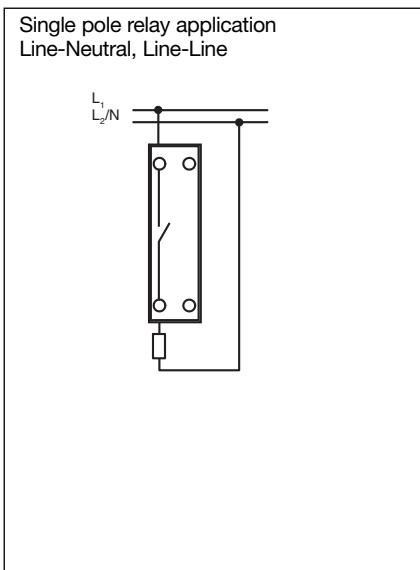
Derating vs. Spacing Curves



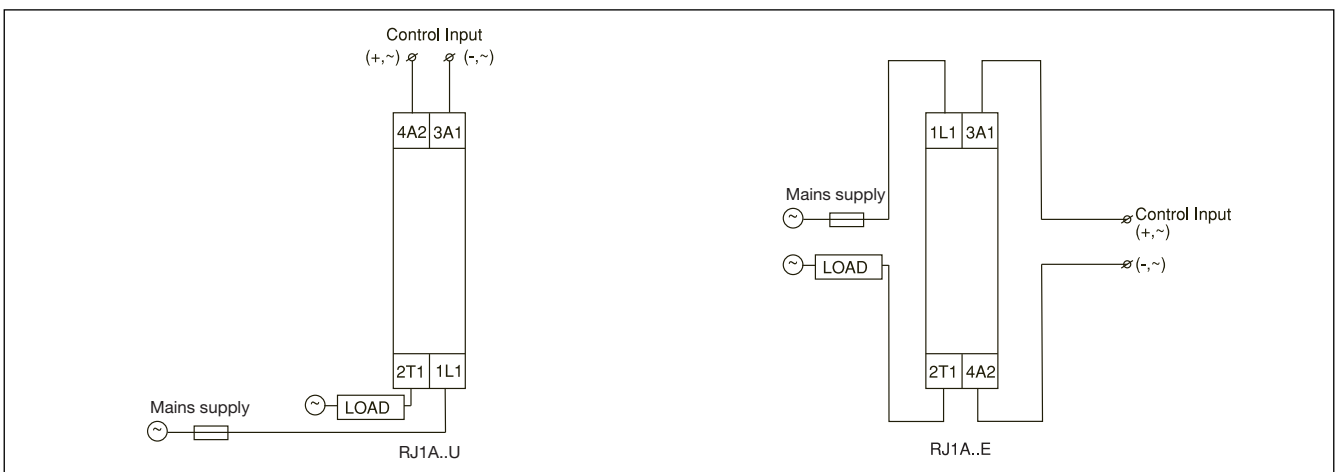
Over-temperature Protection (option: ...P)



Applications



Connection Example





Agency Approvals & EMC

CE marking Low Voltage Directive EMC Immunity EMC Emission	IEC / EN 60947-4-3 IEC / EN 61000-6-3 IEC / EN 61000-6-1	Approvals RJ..... RJ.....M	UL (E80573), cUL (E80573) , CSA (204075), GL (75833-09HH) UL (172877), cUL (172877) , GL (75833-09HH)
Electrostatic Discharge (ESD) Immunity	IEC / EN 61000-4-2 8kV, PC2 Air discharge 4kV, PC2 Contact	Restrictions of hazardous substances	RoHS
Electrical Fast Transient Burst Immunity Output Input	IEC / EN 61000-4-4 2kV, performance criteria 1 1kV, performance criteria 1	Radiated Radio Frequency Immunity 10V/m, 80 - 1000 Mhz	EN 61000-4-3 Performance criteria 1
Electrical Surge Immunity Output, line to line Output, line to earth Input, line to line Input, line to earth	IEC / EN 61000-4-5 1kV, performance criteria 2 2kV, performance criteria 2 1kV, performance criteria 2 2kV, performance criteria 2	Conducted Radio Frequency Immunity 10V/m, 0.15 - 80 MHz	IEC / EN 61000-4-6 Performance criteria 1
Radio Interference field emissions (radiated)	IEC / EN 55011 Class B (light industry)	Voltage Dips Immunity 0% for 10ms/20ms, 70% for 500ms 40% for 200ms	IEC / EN 61000-4-11 Performance criteria 2 Performance criteria 3
		Voltage Interruptions Immunity 0% for 5000ms	IEC / EN 61000-4-11 Performance criteria 3
		Radio Interference voltage emissions (conducted)	IEC / EN 55011 Class A (industrial)

Protection with Semiconductor Fuses

Relay type	Rated oper. voltage	Max. fuse	Fuse Size Ferraz (mm)	Fuse type Ferraz	Fuseholder Ferraz	Fuse Size Siba (mm)	Fuse type Siba	Fuseholder Siba
20A 22 I ² t = 450A ² s	230 VAC 600 VAC	20 A 20 A	10.3 x 38 10.3 x 38	660 gRB 10-20 660 gRB 10-20	CMS10 1P CMS10 1P	10,3x38 10,3x38	60 034 34.25 60 034 34.25	51 063 04 51 063 04
30A 22 I ² t = 1680A ² s	230 VAC 600 VAC	30 A 30 A	10.3 x 38 10.3 x 38	660 gRB 10-30 660 gRB 10-30	CMS14 1P CMS14 1P	22x58 22x58	50 140 34.50 50 140 34.50	51 060 04 51 060 04

Protection for 65kArms Short Circuit Current Rating (according to UL508)

Suitable for use on a circuit capable of delivering not more than 65,000 Arms symmetrical amperes, 600 volts maximum

when protected by Class J fuses. The maximum allowed current value of the fuses is reported in the table below.

Use fuses only

Type	Maximum allowed ampere rating of the fuse
RJ1yxxx20	20A
RJ1yxxx30	40A

Protection with Circuit Breakers (ABB)

Solid State Relay type	Model no. for Z - type M. C. B. (rated current)	Model no. for B - type M. C. B. (rated current)	Wire cross sectional area [mm ²]	Minimum length of Cu wire conductor [m] ¹
RJ 20	S201 - Z4 (4A)	S201 - B2 (2A)	1.0	21.0
	S201 - Z6 UC (6A)	S201 - B2 (2A)	1.0	21.0
			1.5	31.5
RJ 30	S201 - Z10 (10A)	S201-B4 (4A)	1.0	7.6
			1.5	11.4
			2.5	19.0
	S201 - Z16 (16A)	S201-B6 (6A)	1.0	5.2
			1.5	7.8
			2.5	13.0
	S201 - Z20 (20A)	S201-B10 (10A)	4.0	20.8
			1.5	12.6
			2.5	21.0
	S201 - Z25 (25A)	S201-B13 (13A)	2.5	25.0
			4.0	40.0
	S202 - Z25 (25A)	S202-B13 (13A)	2.5	19.0
			4.0	30.4

1. between MCB and SSR Relay (including return path which goes back to the mains).

Note: A prospective current of 6kA and a 230/400V power supply system is assumed for the above suggested specifications. For cables with different cross section than those mentioned above please consult Carlo Gavazzi's Technical Support Group.